

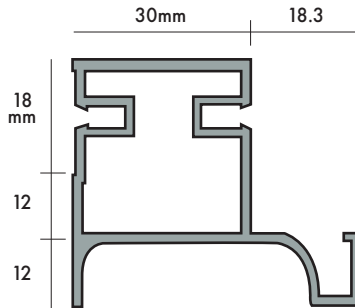
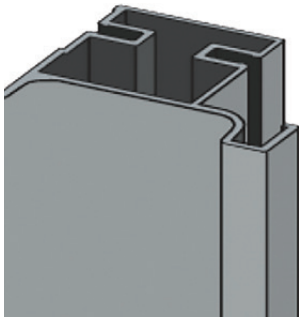
GOLA PROFILES **8018** & **8012** ARE USED WITH THE SAME WORKING ON THE CABINET.

# VERTICAL CABINET PROFILES

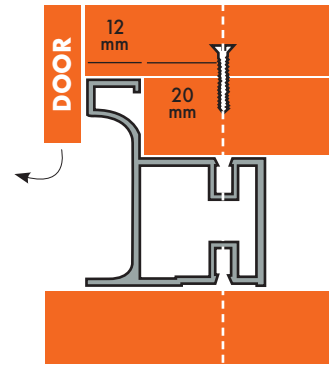
## PROFILE 8018 SINGLE VERTICAL

LENGTH: 9ft

Designed for Single Door Applications.



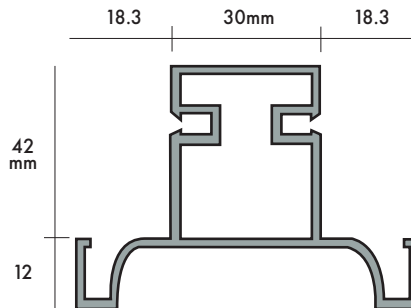
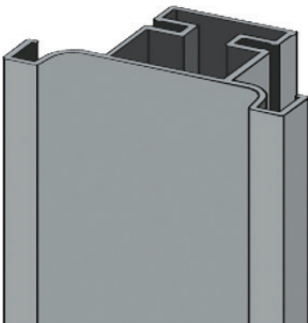
## SI.8018. \*FINISH\*



## PROFILE 8012 DOUBLE VERTICAL

LENGTH: 9ft

Designed for Double Door Applications.



## SI.8012. \*FINISH\*

