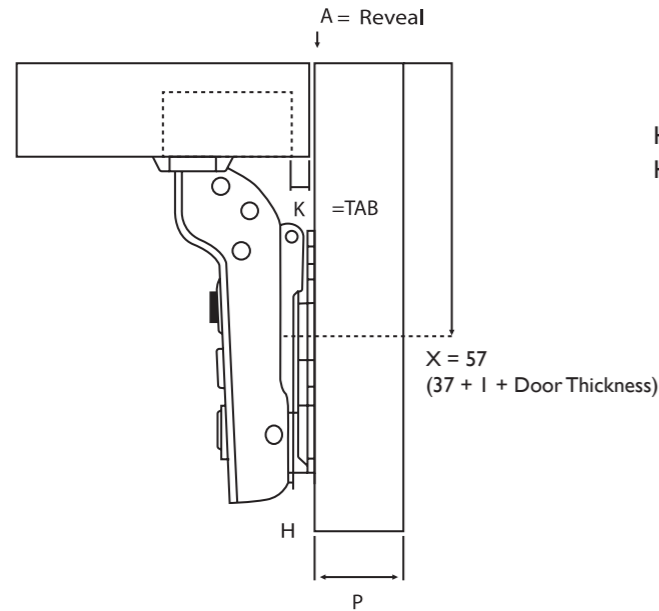


CONCEALED HINGE PRODUCT SPECIFICATIONS

INSET

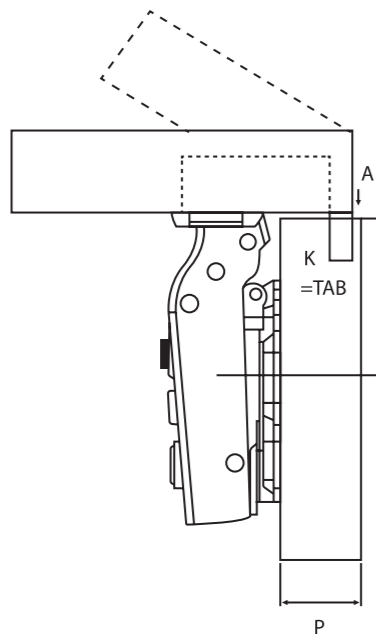


K Distance	K=3	K=4	K=5	K=6
H=0	A= 3	A= 2	A= 1	A= 0
H=2	A= 5	A= 4	A= 3	A= 2

(H= Plate Thickness)
 P = Cabinet Panel Thickness
 A = Cabinet Panel Reveal when door is closed
 K = Tab or Drilling Distance from edge of door

Constant Distance
 Inset -6mm

SPACE NEEDED TO OPEN THE DOOR



T=	16	17	18	19	20
K=3	A= 0.7	A= 0.9	A= 1.2	A= 1.5	A= 1.8
K=4	A= 0.7	A= 0.9	A= 1.1	A= 1.4	A= 1.8
K=5	A= 0.6	A= 0.9	A= 1.1	A= 1.4	A= 1.7
K=6	A= 0.6	A= 0.8	A= 1.1	A= 1.3	A= 1.6

- T = Door thickness | - K = Drilling distance



PRIDE INDUSTRIAL
 DECORATIVE HARDWARE
 FUNCTIONAL HARDWARE
 & MORE

SFX SERIES

SOFT-CLOSE HINGES

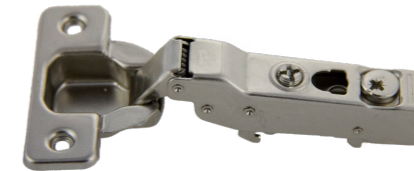
FULL OVERLAY



110° Soft Close Clip-On
 CAM Hinge Full Overlay
3311-SC No Dowels
3311-8D-SC With Dowels

CASE QTY 200

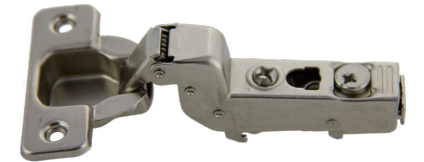
HALF OVERLAY



110° Soft Close Clip-On
 CAM Hinge Half Overlay
3322-SC No Dowels
3322-8D-SC With Dowels

CASE QTY 200

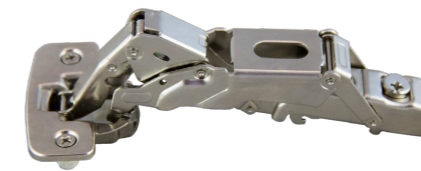
INSET



110° Soft Close Clip-On
 CAM Hinge Inset
3333-SC No Dowels
3333-8D-SC With Dowels

CASE QTY 200

165° HINGE



165 SFX Series Soft Close
 Clip-On CAM Hinge F/O w/
 8mm Dowels
33165-8D-SC

CASE QTY 100

CORNER



110° Soft Close Clip-On
 CAM 45° Corner Hinge w/
 Dowels
3345-8D-SC

CASE QTY 200

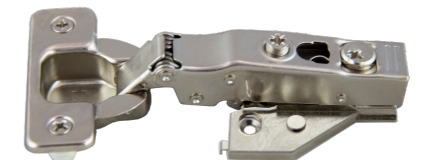
BLIND CORNER



110° Soft Close Clip-On
 CAM 90° Blind Corner
 Hinge w/ Dowels
3390-8D-SC

CASE QTY 200

FULL OVERLAY



110 Deg +3mm Assembled
 Soft Close Hinge & Plate W/
 Dowels
33118DSC+3303CAMSC

CASE QTY 200

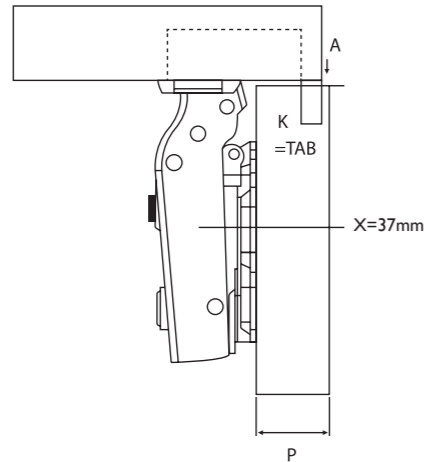


PRIDE INDUSTRIAL
DECORATIVE HARDWARE
FUNCTIONAL HARDWARE
& MORE

SFX SERIES

SOFT-CLOSE HINGES

FULL OVERLAY

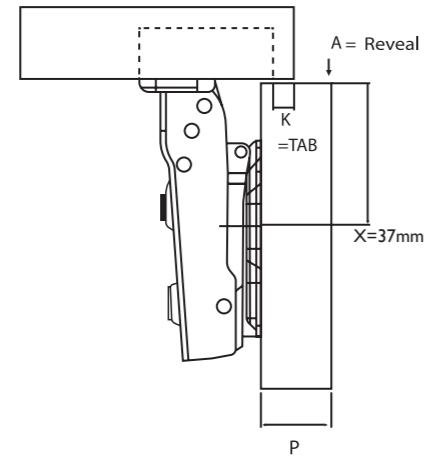


P=	16	17	18	19
K=3 A=	1	2	3	4
K=4 A=	0	1	2	3
K=5 A=	-1	0	1	2
K=6 A=	-2	-1	0	1

P = Cabinet Panel Thickness
A = Cabinet Panel Reveal when door is closed
K = Tab or Drilling Distance from edge of door

Constant Distance
Full Overlay 12mm

HALF OVERLAY

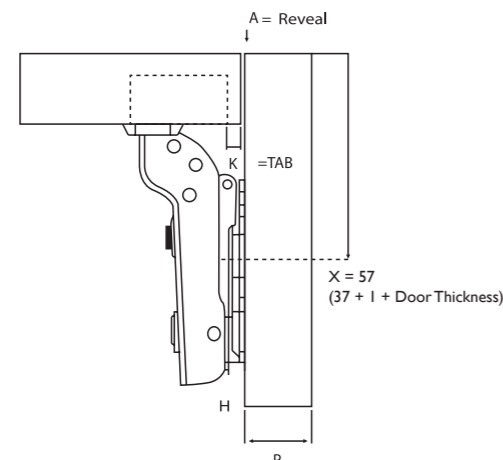


P=	16	17	18	19
K=3 A=	10	11	12	13
K=4 A=	9	10	11	12
K=5 A=	8	9	10	11
K=6 A=	7	8	9	10

P = Cabinet Panel Thickness
A = Cabinet Panel Reveal when door is closed
K = Tab or Drilling Distance from edge of door

Constant Distance
Half Overlay 3mm

INSET



	K Distance	K=3	K=4	K=5	K=6
H=0 A=		3	2	1	0
H=2 A=		5	4	3	2

(H= Plate Thickness)
P = Cabinet Panel Thickness
A = Cabinet Panel Reveal when door is closed
K = Tab or Drilling Distance from edge of door

Constant Distance
Inset -6mm



PRIDE INDUSTRIAL
DECORATIVE HARDWARE
FUNCTIONAL HARDWARE
& MORE

SLX SERIES

SELF-CLOSE HINGES

SLX SERIES ONLY AVAILABLE IN FULL OVERLAY

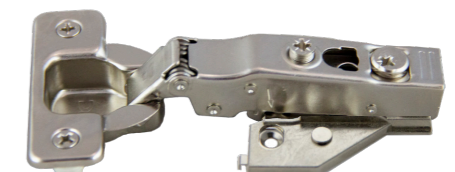
FULL OVERLAY



110 SLX Series Self Close
Clip Hinge Full Overlay /
works with Soft Close plates
3411 No Dowels
3411-8D With Dowels

CASE QTY 200

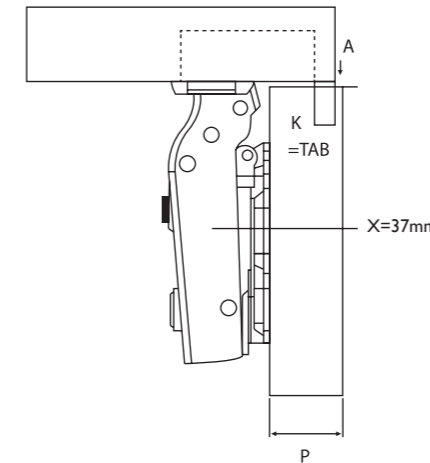
FULL OVERLAY



110 Deg +3mm SLX Series
Assembled Self Close Hinge
& Plate W/Dowels
34118DSC+3303CAMSC

CASE QTY 200

FULL OVERLAY



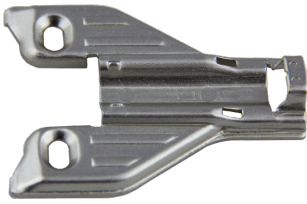
P=	16	17	18	19
K=3 A=	1	2	3	4
K=4 A=	0	1	2	3
K=5 A=	-1	0	1	2
K=6 A=	-2	-1	0	1

P = Cabinet Panel Thickness
A = Cabinet Panel Reveal when door is closed
K = Tab or Drilling Distance from edge of door

Constant Distance
Full Overlay 12mm

SFX/SLX SERIES COMPATIBLE PLATES

FACE FRAME PLATE



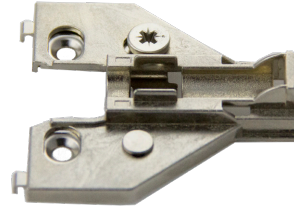
Soft Close Face Frame Clip Plate

3300-SC 1mm 5/8" Overlay

3303-SC 3mm 1/2" Overlay

CASE QTY 200

FF PLATE WITH CAM ADJUSTMENT



Cam Soft Close Face Frame
Clip Plate

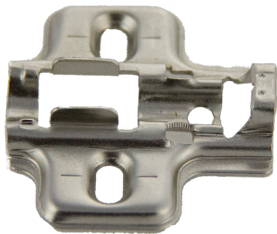
3300CAM-SC 0mm 5/8" Overlay

3303CAM-SC 3mm 1/2" Overlay

3306CAM-SC 6mm 3/8" Overlay

CASE QTY 200

FRAMELESS STEEL PLATE



0mm Soft Close Euro Box
Clip Plate

3300

CASE QTY 200



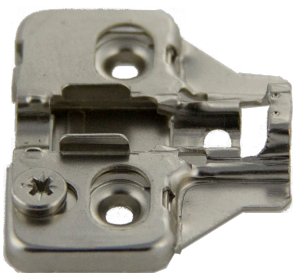
Soft Close Euro Box Clip
Plate w/ System Screws

3300.S 0mm

3302.S 2mm

CASE QTY 200

FRAMELESS STEEL PLATE W/CAM ADJUSTMENT

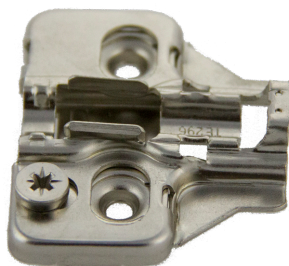


0mm Soft Close Cam
Adjustable Euro Box Clip
Plate. 3/4" OL

96T00TQ

96T02TQ Euro Screws

CASE QTY 200

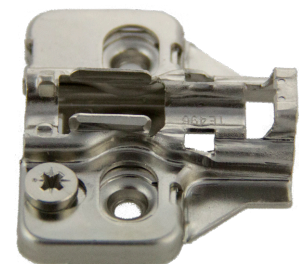


2mm Soft Close Cam Adjustable
Euro Box Clip Plate 5/8" OL

96T20TQ

96T22TQ Euro Screws

CASE QTY 200



4mm Soft Close Cam Adjustable
Euro Box Clip Plate 1/2" OL

96T40TQ

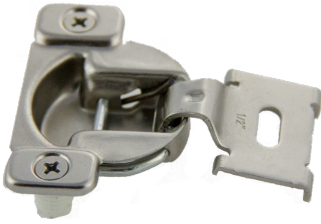
96T42TQ Euro Screws

CASE QTY 200



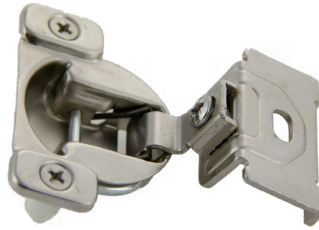
PRIDE INDUSTRIAL
 DECORATIVE HARDWARE
 FUNCTIONAL HARDWARE
 & MORE

COMPACT & SHORT ARM HINGES
 SELF-CLOSE AND SOFT CLOSE



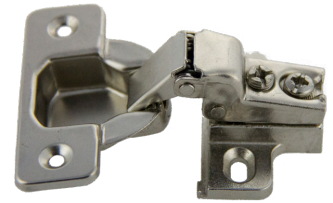
1 Pc Face Frame Hinge
 w/ Dowels
H250-D 1/2" OL
H254-D 3/4" OL

CASE QTY 200



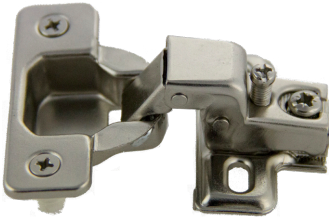
1 Pc Face Frame Hinge 1-1/4" OL
H258-D 1-1/4" OL w/Dowels
H260 1-3/8" OL No Dowels

CASE QTY 200



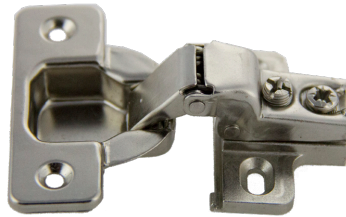
Short Arm Face Frame
 Hinge = 3/8" Overlay
H275 No Dowels

CASE QTY 200



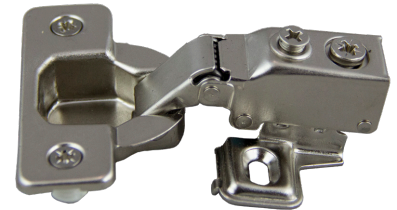
Short Arm Face Frame
 Hinge w/ STEEL PLATE
H275.S-D 3/8" Overlay
H280.S-D 1/2" Overlay

CASE QTY 200



Short Arm Face Frame
 Hinge = 1/2" Overlay
H280 No Dowels
H280-D With Dowels

CASE QTY 200



Short Arm Soft Close Face
 Frame CAM Hinge Steel Plate
 1/2" Overlay w/ Dowel
HCAM280-D-SC w/Dowel
HCAM280-SC No Dowel

CASE QTY 200



Short Arm Face Frame CAM
 Hinge W/Cam Steel Plate
 1/2" Overlay with Dowel
H2CAM280-D with Dowel

CASE QTY 200



Short Arm Face Frame CAM
 Hinge W/Cam Steel Plate 1/2"
 Overlay no Dowel
H2CAM280-SC
H2CAM280-D-SC with Dowel

CASE QTY 200



4 Way 2 Cam Adjustable
 1 pc Face Frame Hinge
 1/2" OL
H294 No Dowels
H294-D With Dowels

CASE QTY 200

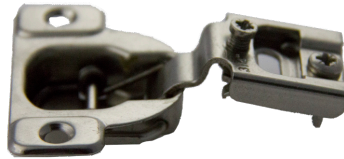


COMPACT & SHORT ARM HINGES
SELF-CLOSE AND SOFT CLOSE



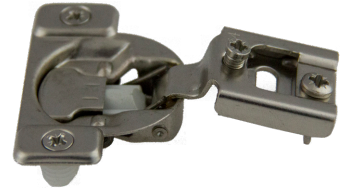
Soft Close 4 Way 2 Cam
 Adjustable 1 pc Face Frame
 Hinge w/ Dowels 1/2" OL
H294-SC No Dowels
H294-D-SC Dowels

CASE QTY 200



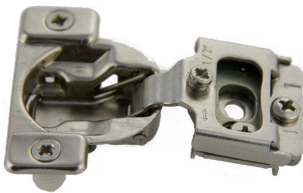
4 Way 2 Cam Adjustable 1
 pc Face Frame Hinge
 3/4" OL
H295 No Dowels
H295-D With Dowels

CASE QTY 200



Soft Close 4 Way 2 Cam
 Adjustable 1 pc Face Frame
 Hinge 3/4" OL
H295-SC No Dowels
H295-D-SC With Dowels

CASE QTY 200



6 Way 3 Cam Adjustable
 1 pc Face Frame Hinge
 w/ Dowels 1/2" OL
H296-D

CASE QTY 200



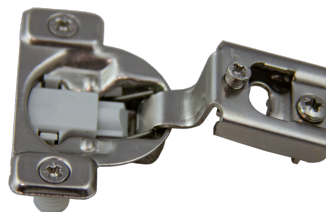
4 Way 2 Cam Adjustable
 1 pc Face Frame Hinge
 1-1/4" OL
H297 No Dowels
H297-D With Dowels

CASE QTY 200



Soft Close 4 Way 2 Cam
 Adjustable 1 pc Face Frame
 Hinge w/ Dowels 1-1/4" OL
H297-SC No Dowels
H297-D-SC With Dowels

CASE QTY 200



4 Way 2 Cam Adjustable 1
 pc Face-Frame Hinge w/
 Dowels 1" OL
H298-D No Soft Close
H298-D-SC Soft Close

CASE QTY 200
