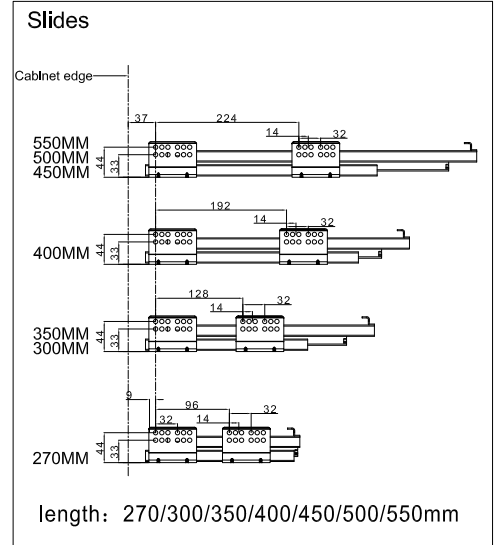
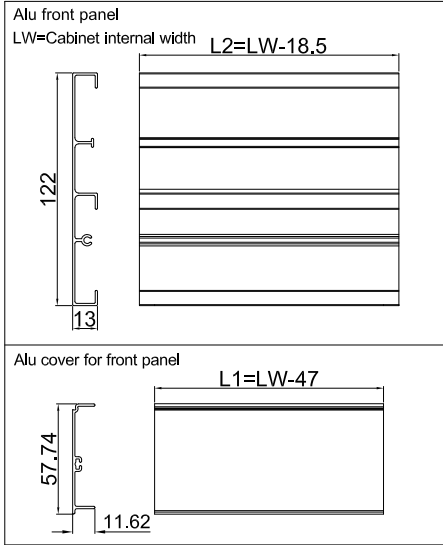
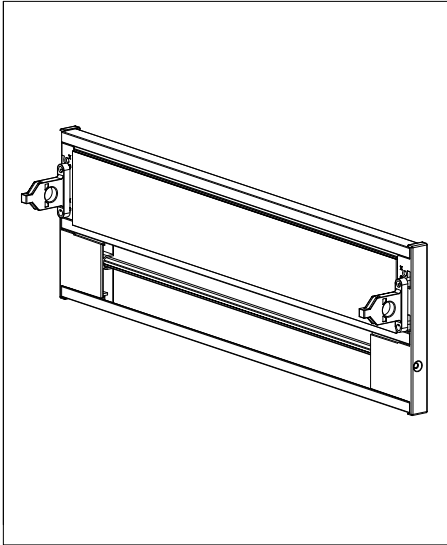


Assembly instruction of Q1 inner drawer system

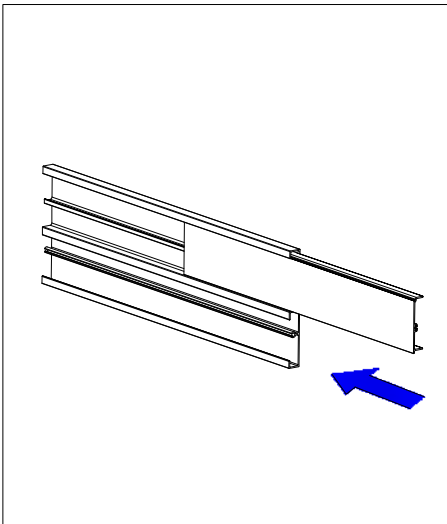
* Cutting dimension of Alu front panel*

* Installation of slide*

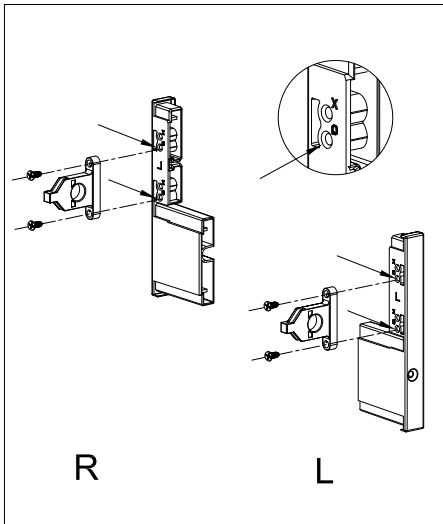


* Installation steps*

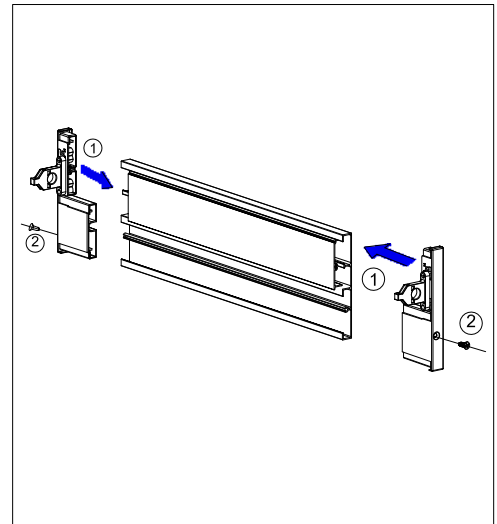
1. Install the Aluminum cover first



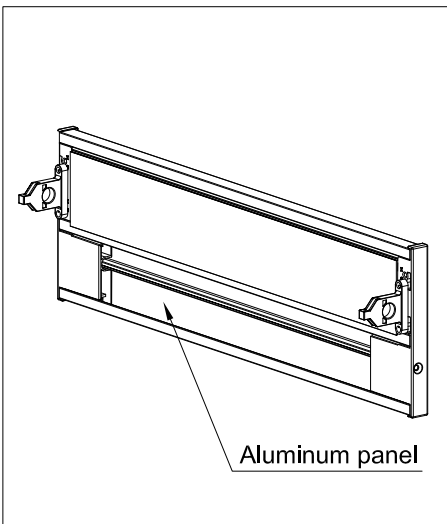
2. Choose the screw hole "Q" to fix the metal front bracket



3. Combine the inner drawer front connector and front panel



4. Finish to install the inner drawer front profile



5. Combine the front profile and drawer side

