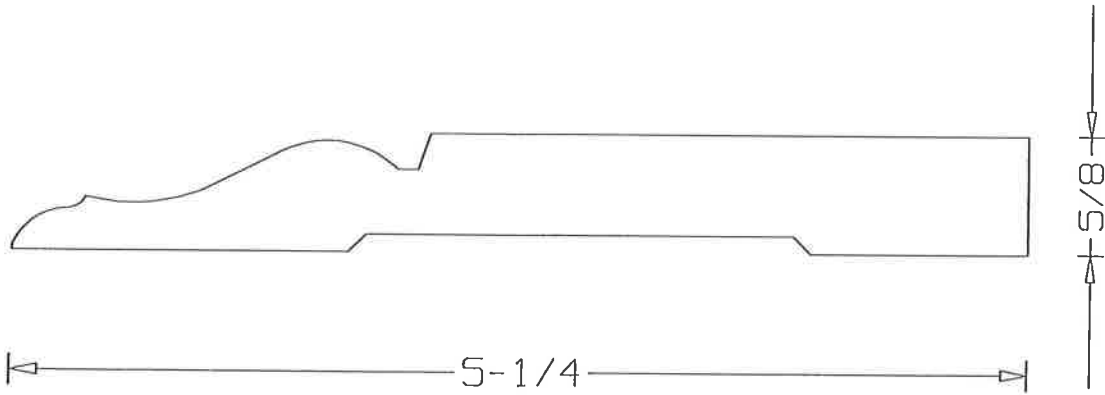


PETERMAN LUMBER
10330 ELM AVENUE
FONTANA, CA 92337
PHONE (909) 357-7730
FAX (909) 357-7743



SALESMAN _____

Please sign or make
the appropriate changes.
Please FAX back.

X _____
DATE SIGNED __ / __ / 2017

CLIENT:

TITLE: P-257
DATE DRAWN: 3 / 15 / 2017
SHEET: 1 OF 1