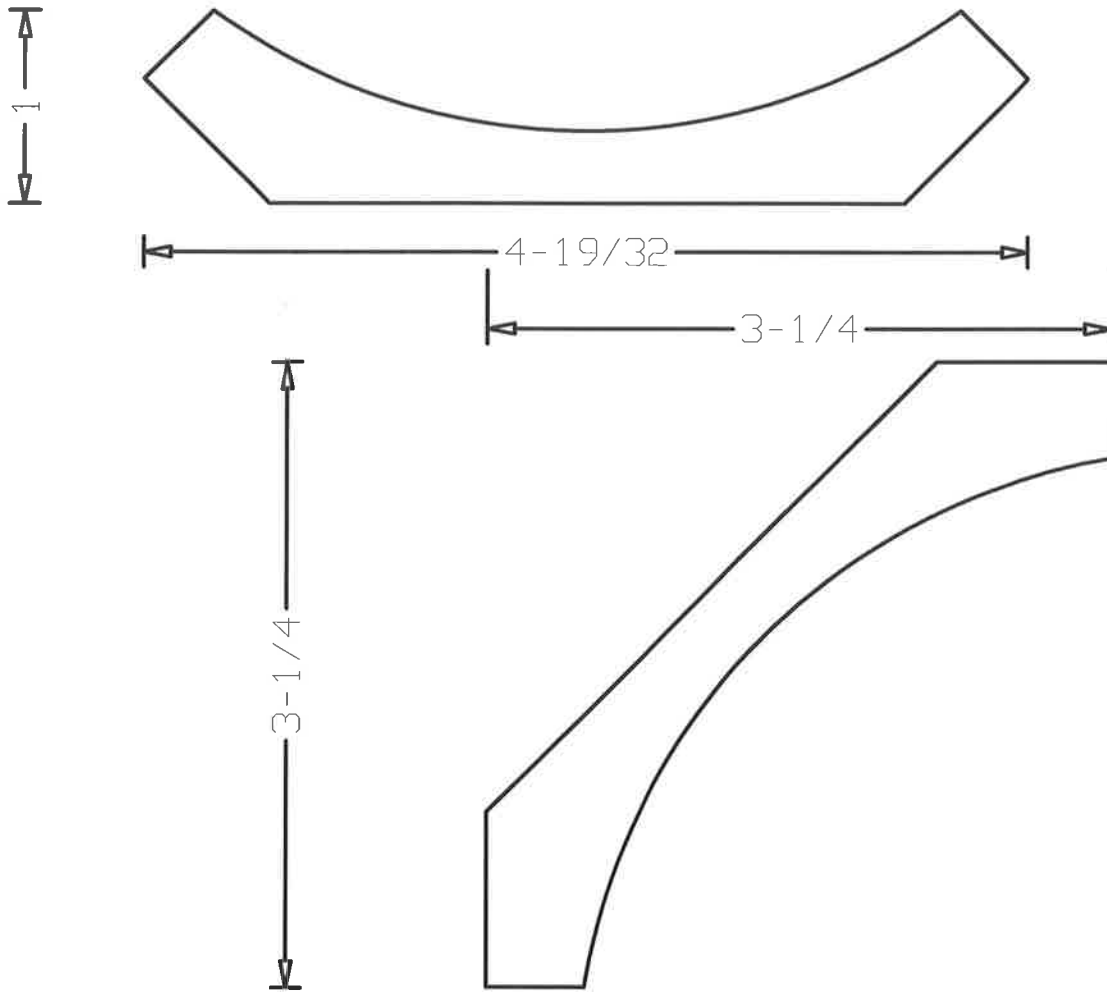


PETERMAN LUMBER
10330 ELM AVENUE
FONTANA, CA 92337
PHONE (909) 357-7730
FAX (909) 357-7743



Please sign or make
the appropriate changes.
Please FAX back.

X _____
DATE SIGNED __ / __ / 20 __

CLIENT: PETERMAN

TITLE: P-650
DATE DRAWN: 5 / 10 / 2007
SHEET: 1 OF 1