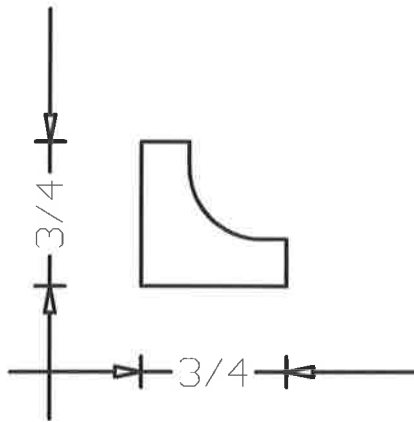
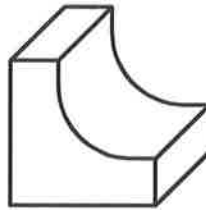


PETERMAN LUMBER  
10330 ELM AVENUE  
FONTANA, CA 92337  
PHONE (909) 357-7730  
FAX (909) 357-7743



Please sign or make  
the appropriate changes.  
Please FAX back.

X \_\_\_\_\_  
DATE SIGNED -- / -- / 20 --

CLIENT: SUPERIOR CABINETS

TITLE: P - 703

DATE DRAWN: 3 / 3 / 2009

SHEET: 1 OF 1