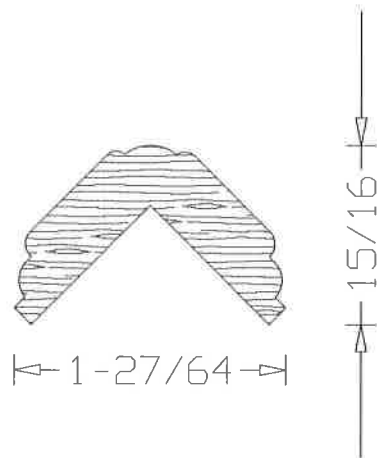
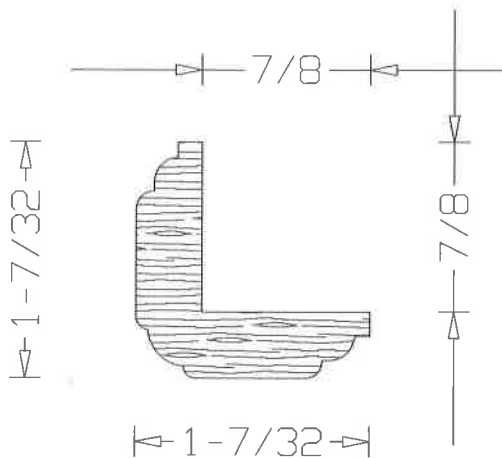
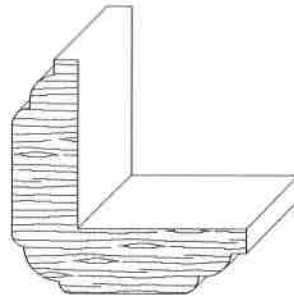


SPECIALIZED MILLING
10330 ELM AVENUE
FONTANA, CA 92337
PHONE (909)357-7730 FAX (909) 357-7743

PETERMAN P-705



Please sign or make
the appropriate changes.
Please FAX back.

X _____